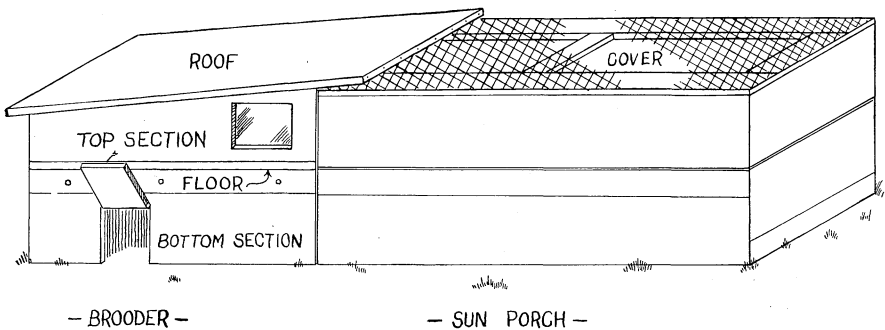


# Homemade Lamp Brooder

**T**HE homemade farm brooder was planned and designed to fill the need on many farms for a simple, economical, easily constructed brooder for fifty or less chicks. The use of one or more of these simple brooders will make it possible to brood chicks early in the spring and eliminate excessive losses caused by diseases, parasites, varmints, and sudden storms. The brooder is operated in the open; a house or other protection is not necessary except during extremely cold weather. The low cost of construction and operation has made this brooder very popular among farmers.

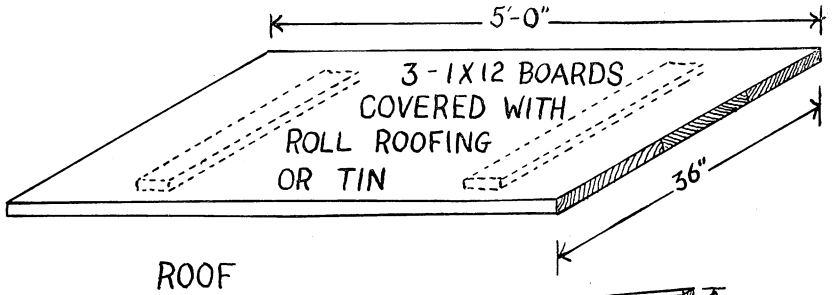
**Construction.**—The bottom, top, and sides are made in separate sections to facilitate cleaning the brooder and moving it to new locations. The floor is made of tin and is tacked with shingle nails to a frame made of light material. The frame is fastened together at the corners with corrugated wood fasteners as shown in the drawing. Two cross pieces are used to brace the bottom. Small wooden blocks are nailed on both sides of the frame at each corner to keep the brooder from slipping sideways. The tin should be placed on the under side of the frame so it will be next to the lamp. This makes the brooder practically fireproof as no wood is exposed on the bottom. Three one-half-inch holes should be bored in each side of the bottom section to provide ventilation for the lamp.



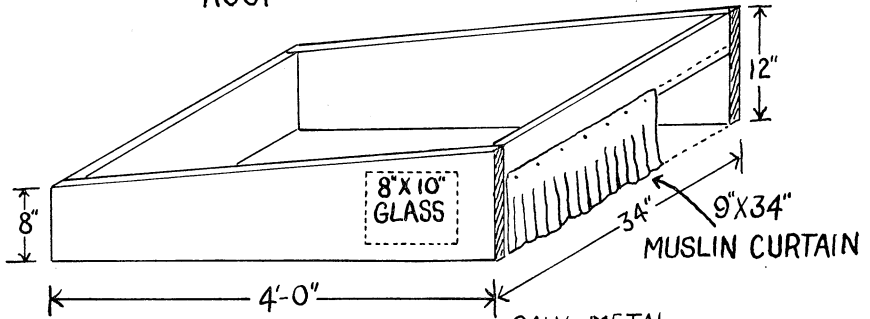
**AGRICULTURAL EXPERIMENT STATION  
OF THE  
ALABAMA POLYTECHNIC INSTITUTE**

**M. J. FUNCHES, Director  
AUBURN**

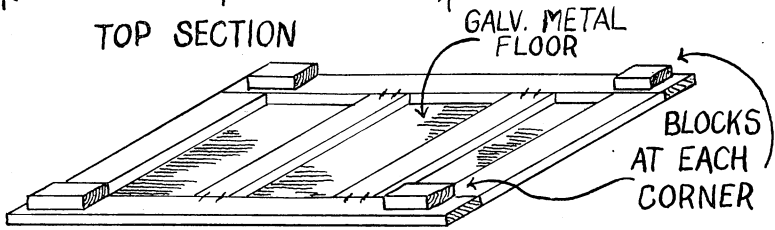
# Brooder



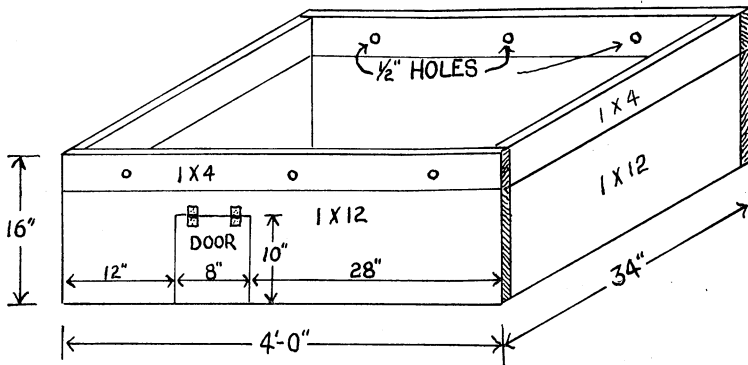
ROOF



TOP SECTION

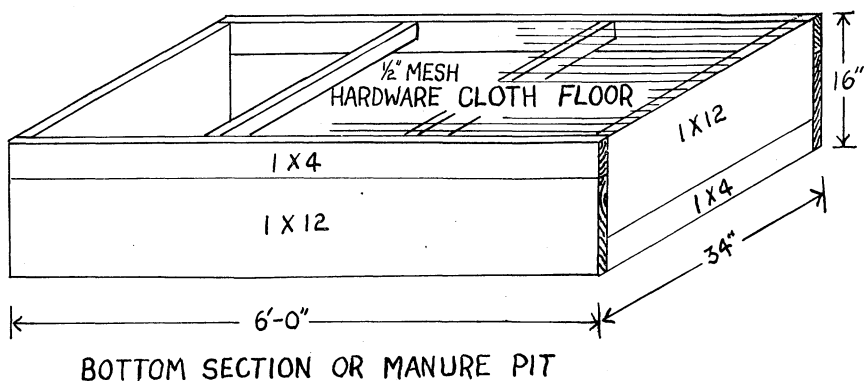
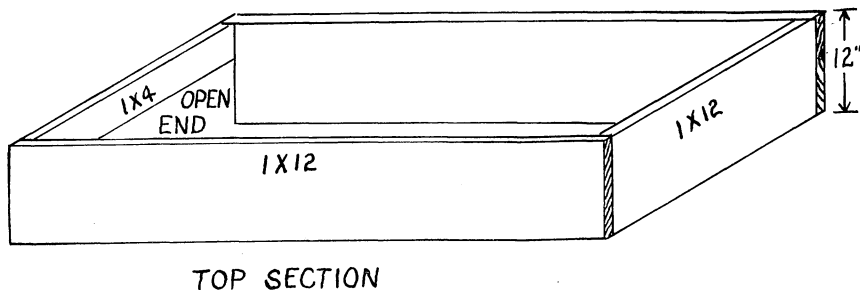
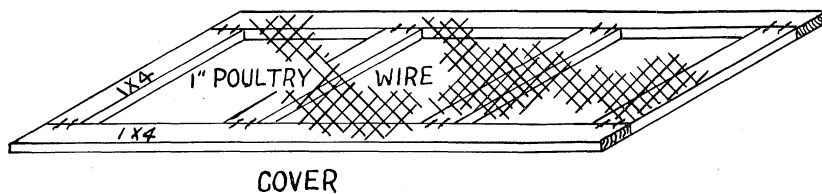


FLOOR



BOTTOM SECTION

## Sun Porch



## BILL OF MATERIAL

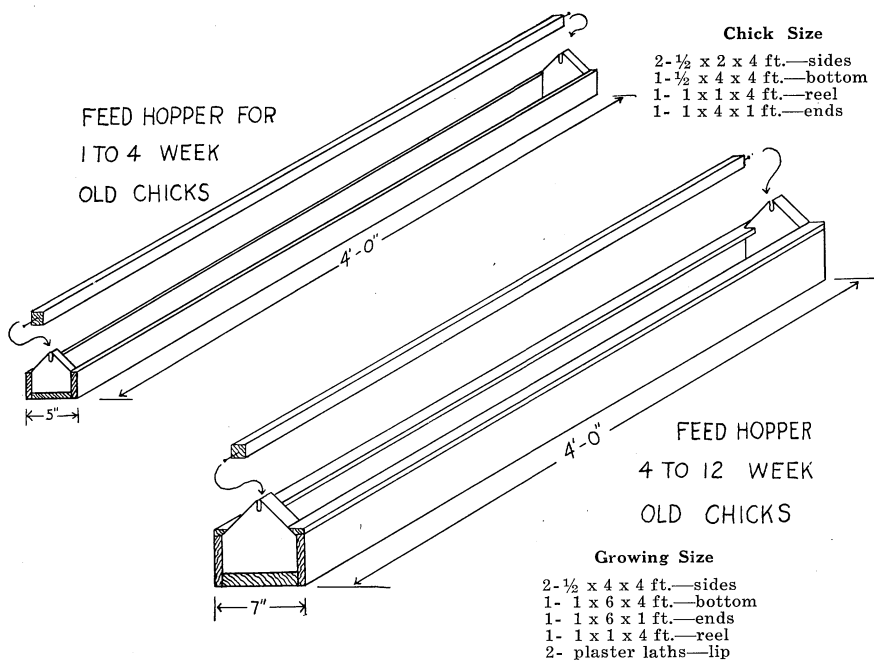
Brooder	Sun Porch
37 lin. ft., 1x12	33 lin. ft., 1x12
41 lin. ft., 1x4	51 lin. ft., 1x4
3 lin. ft., 1x8	1 pc. 34x72 in. hardware cloth
1 pr. small hinges	1 pc. 34x72 in. poultry wire
1 or 2 pc., 8x10 in. glass	one inch mesh
24, ½ in. corrugated fasteners	24, ½ in. corrugated fasteners
1 pc. tin 34x48 inches	1 lb. 8-d common nails
1 pc. 3x5 ft. roofing paper or tin	½ lb. wire staples
1 lb. 8-d common nails	

The 8 x 10-inch glass in the top section is optional. It aids in teaching the chicks to eat when the weather is too cold for the front curtain to be left open.

**Operation.**—The brooder is heated with an ordinary low-type kitchen lamp or a kerosene lamp burner fitted onto a fruit

jar. In placing the lamp, care should be taken to allow about one inch of space between the top of the lamp chimney and the floor of the top section. **During extremely cold weather it will probably be necessary to use two lamps to heat the brooder.** The lamp should be located half way between the sides of the brooder and 14 inches from the rear wall. The lamp should be lighted 24 hours before the chicks are placed in the brooder. The floor should be covered with sand which should be changed once each week. The sand aids in keeping the chicks warm and facilitates cleaning the brooder.

The sun porch provides more room and sunshine for the chicks and keeps them off contaminated soil. The sides of the top section of the sun porch may be made of 12-inch boards as shown in the drawing or they may be made of one-inch-mesh poultry wire.



One self-feeder at least three feet long, made so the chicks can eat from both sides, should be provided. One one-half-gallon fruit jar drinking fountain should be used for water. As soon as the chicks are well feathered, the top of the sun porch may be left open so the chicks can range.

DEPARTMENT OF ANIMAL AND POULTRY HUSBANDRY

D. F. King, *Associate Professor of  
Poultry Husbandry*